

Technical data sheet HANDLE

1. DESCRIPTION

Maniglia per casseforme.



2. TECHNICAL SPECIFICATIONS

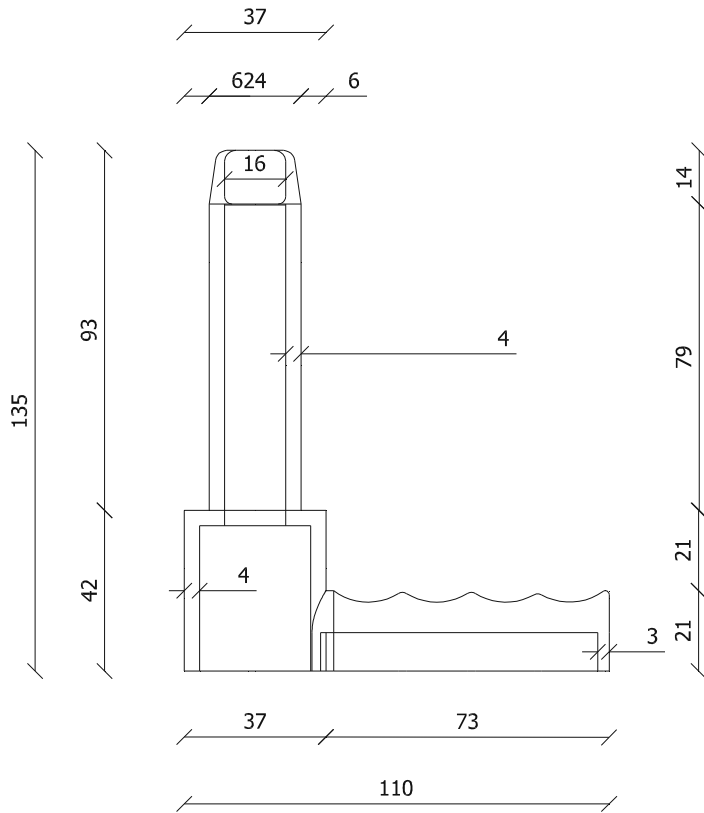
Material	-	Polyamide (Nylon) with glass fibers
Colour	-	Red
Weight	kg	0.09
Tensile strength	Kg	> 10000
Place of production	-	Italy

3. PACKAGING AND TRANSPORT

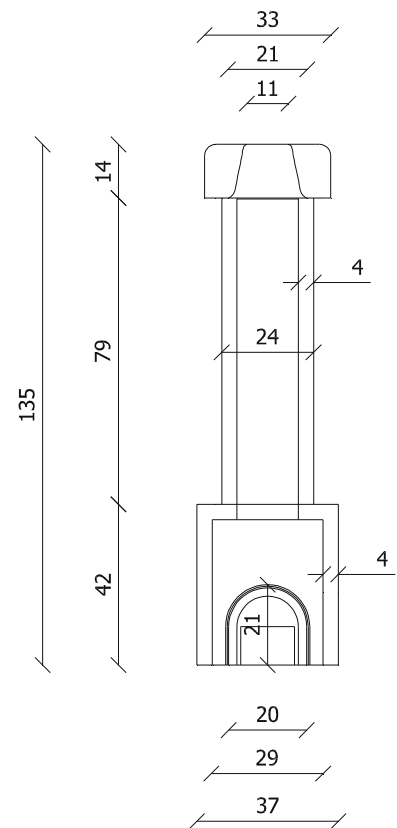
Product code	-	EGAMARO0000
Code composition	-	1 handle

4. TECHNICAL LAYOUT

FRONT VIEW [mm]



SIDE VIEW [mm]



TOP VIEW [mm]

