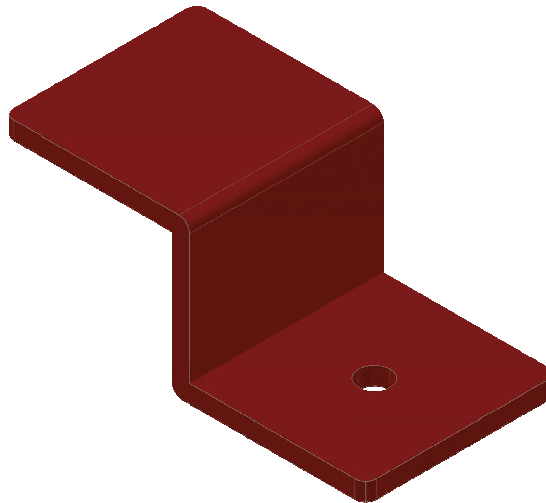


Technical data sheet **FIXING BRAKET**

1. DESCRIPTION

Fixing braket for connection between formwork and slab.



2. TECHNICAL SPECIFICATIONS

Material	-	Steel
Hole diameter for bolt	mm	14
Weight	kg	0.28
Place of production	-	Italy

3. PACKAGING AND TRANSPORT

Product code	-	EGASTAN0000
Code composition	-	1 fixing braket

4. TECHNICAL LAYOUT

