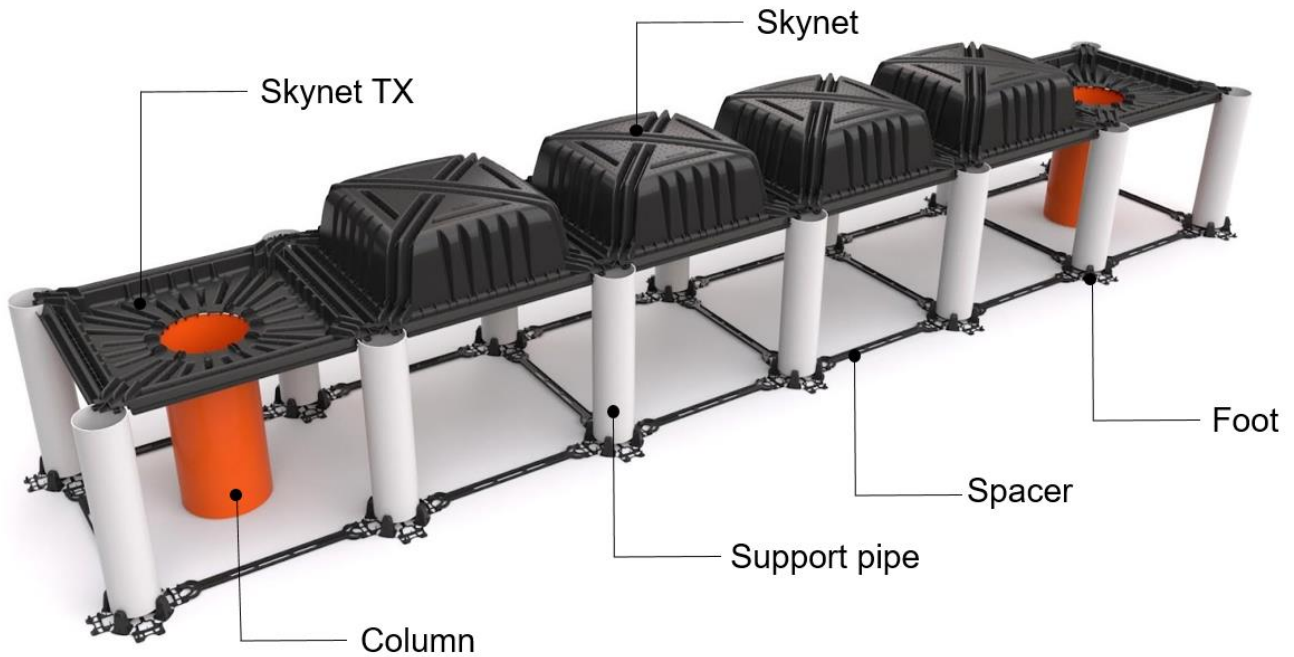


SKYNET technical data sheet

1. DESCRIPTION

Modular formwork to create elevated ribbed slabs in accordance with Eurocode and American Concrete Institute (NTC2018, EC2, ACI318)



2. TECHNICAL SPECIFICATION

Skynet, Skynet TX, foot and spacer material	-	Recycled polypropylene 100% Type GRAPLENE
Support pipe / column material	-	PVC
Skynet dimension*	cm	71 x 71 x H20
Skynet TX dimension*	cm	71 x 71 x H8
Column diameter	mm	Ø 250 - 300
Foot dimension*	mm	Ø int 125
Spacer dimension*	cm	50 x 7
Weight Skynet / Skynet TX / spacer / foot	kg	2,96 (± 10%) / 1,94 (± 10%) / 0,13 / 0,13
Place of production	-	Italy

* in consideration of the recycled material, the measures should be evaluated with a tolerance of ± 1,5%

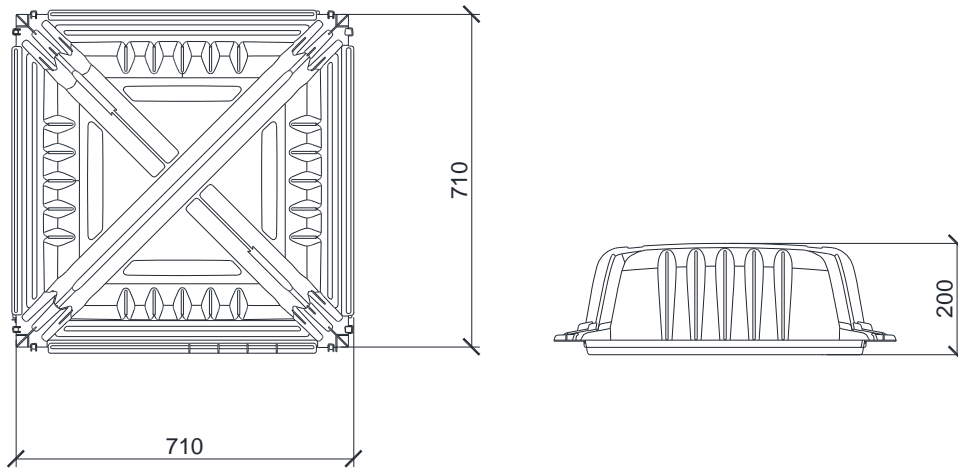
Concrete consumption flush to the formwork** (m ³ /m ²)	Ø column	Formula***
	0,25m	$[(0,12+0,049 \times h) \times n^\circ \text{ of columns}] / \text{area} + 0,095$
0,30m	$[(0,12+0,07 \times h) \times n^\circ \text{ of columns}] / \text{area} + 0,095$	

** The volume is subject to changes depending on the pouring conditions and material tolerances

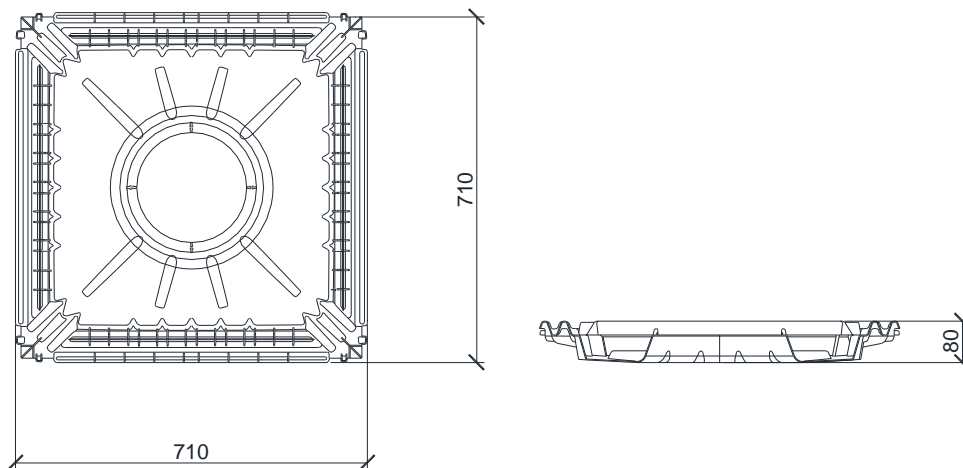
*** Where "h" is the height of the column expressed in m.

3. TECHNICAL DRAWINGS

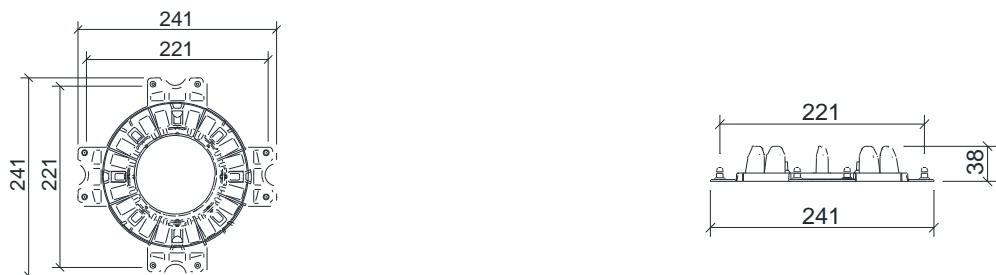
Skynet



Skynet TX



Foot



Spacer



4. LOAD CHART

LOAD CLASS	Distributed load (kg/m ²)	Columns span (m)	Slab and ribs reinforcement (kg/m ²)	Shear reinforcement (kg/m ²)	Punching reinforcement*	Column reinforcement*	Column's incidence (pc/m ²)
Residential	200	2.84	4	0	NO	NO	0.12
		4.24	7	1.5	NO	NO	0.06
		5.66	10	3	NO	YES	0.03
Offices	400	2.84	6	0	NO	NO	0.12
		4.24	10	2	NO	NO	0.06
		5.66	16	4	NO	YES	0.03
Light traffic loads	1.000	2.84	10	2	NO	NO	0.12
		4.24	18	3	YES	YES	0.06
Heavy traffic loads	2.000	2.84	12	4	NO	NO	0.12
		4.24	20	5	YES	YES	0.06

The values shown in the above chart, must be considered purely indicative and not suitable for structural dimensioning. For this purpose, contact Geoplast's Technical dept.

* Indicative value for a slab 5cm thickness. The quantity of reinforcement inside the column and on Skynet TX, will have to be evaluated with Geoplast's Technical dept. Quantity of reinforcement has to be considered as the maximum indicative quantity in the slab, referred to the load class.

A permanent load of 3.00kN/m² is considered on each case
 The above load classes are calculated considering a Skynet's height of 200cm

5. PACKAGING AND TRANSPORT

Skynet Code		ESKYNET7171
Packaging dimensions	cm	150 x 150 x H255
N° Pieces - m ² pallet	-	540 – 270
Packaging type	-	Stacked and wrapped in plastic film on pallet
Package gross weight formwork (pallet included)	kg	1608

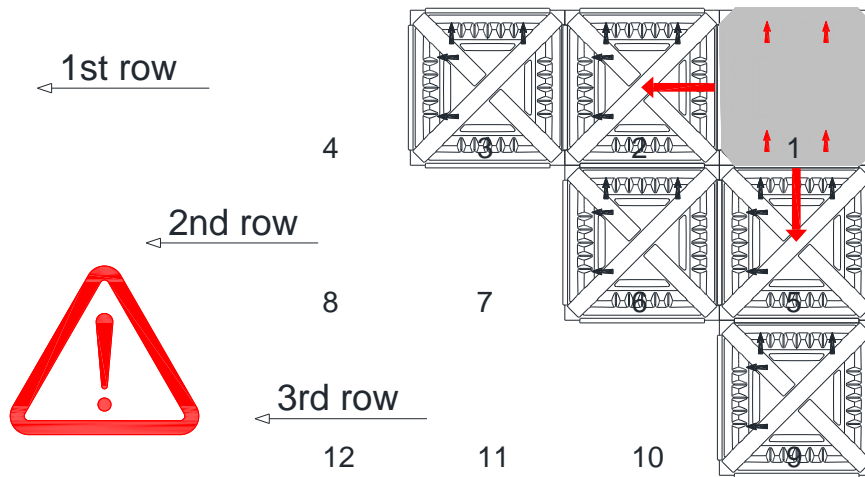
Skynet TX Code		ESKYNTAX7171
Packaging dimensions	cm	150 x 150 x H255
N° Pieces - m ² pallet	-	560 – 280
Packaging type	-	Stacked and wrapped in plastic film on pallet
Package gross weight formwork (pallet included)	kg	1096

Foot Code		EBASEMA7171
Dimensions	mm	Ø125
Packaging dimensions	cm	100 x 120 x H250
N° Pieces	-	5000
Packaging type	-	Stacked and wrapped in plastic film on pallet
Package gross weight formwork (pallet included)	kg	670

Spacer Code		EDISTEM7171
Packaging dimensions	cm	80 x 120 x H170
N° Pieces	-	4400
Packaging type	-	Stacked and wrapped in plastic film on pallet
Package gross weight formwork (pallet included)	kg	592

6. INSTALLATION (laying) METHOD

The Skynet installation is carried out by placing the formwork from right to left and from top to bottom, always keeping the arrow printed upwards. It is essential to check the correct fitting of the feet and formwork with the support pipe



PIPE technical data sheet

1. DESCRIPTION

PVC support structure with an external diameter of 125, 250 or 300mm and a thickness from 1,8 to 2,8 mm.



2. TECHNICAL DATA

Dimensions	cm	75 > 200		
Thickness	mm	1,8/2,0	2,5/2,8	2,5/2,8
External Diameter	mm	Ø 125	Ø 250	Ø 300
Product Code	-	EELTUBN0000 (support pipe)	EELTUBA3000 (column)	EELTUBB3000 (column)
Material	-	PVC		

STRIP technical data sheet

1. DESCRIPTION

Polystyrene strip for lateral closure of the remaining space between formwork and wall



2. TECHNICAL DATA

Dimensions (cm) (base x height x length)	8 x 11 x 150
Material	EPS
Product Code	EELLISS0150